



ENZO FORNI

SERIES: NAPOLI SERIES
WOOD

THE ORIGINAL NEAPOLITAN PIZZA OVEN

Since 2010, we have been creating the best pizza ovens. More than a decade of craftsmanship in the construction of stoves is reflected in every ENZO FORNI brick stove. Approved by the Accademia Maestri Pizzaioli, this is the oven to prepare authentic Neapolitan pizza.



FEATURES

The ENZO FORNI Circolare series ovens are hand-built Neapolitan brick ovens which feature a cast steel door opening 420 mm or 520 mm wide by 210 mm high. The refractory baking floor diameter ranges from 800mm up to 1400 mm, lined with hand-made clay bricks to form a dome. An internal steel and cement structure reinforces the dome and shapes the oven base. A proprietary mixture of Neapolitan sand, volcanic rock and clay form a thick insulation, ensuring heat retention.

SPECIFICATIONS

- Plain of cooking : Biscotto di Sorrento
- Crown and dome : Refractory bricks 60 mm. thick , resistance temperature of over 900° C.
- Support stand : Reinforced and painted iron structure (four legs)
- External covering : Mosaic tiles – palladiana marble
- Alimentation : Wood
- Wood consumption : 3-5 kg/h
- Working temperature suggested : 400/450 °C
- Flue output : Ø 160 - 250 mm.
- Heat Output : 25000 Kcal – 29 Kw
- Max heat output : 29000 Kcal – 34 Kw
- Smokes temperature output : 190°C
- Extract air flow : 800 Mc/h (at starting)
- 650 Mc/h (at fully operating)
- Required CFM : 470
- Venting : Natural draft.

- Oven employs an integral exhaust hood above the front opening. All flue gases exit the front opening and drafts into the exhaust hood to be subsequently expelled through a flue pipe (250 mm) located at the top of the oven. The flue pipe is intended to be connected to a natural draft chimney system complying with NFPA96.

Outside temperature at work: 37°

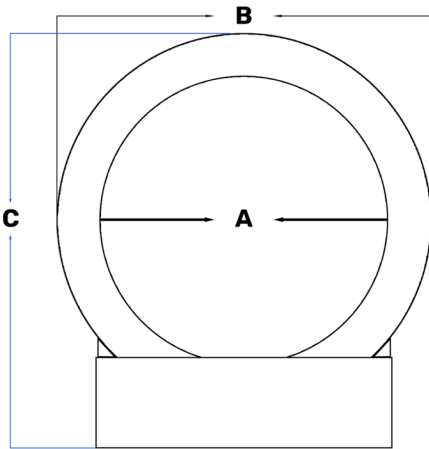
Available in 3 options:





GASPARE SERIES

SERIES: NAPOLI SERIES
WOOD



MODEL	NO. PIZZAS	SIZES	HEIGHT	WEIGHT
M80	2	A:80, B:135, C:155	195	980
M90	3	A:90, B:145, C:165	195	1300
M110	4	A:110, B:160, C:180	195	1700
M120	5	A:120, B:170, C:190	195	2100
M130	6	A:130, B:180, C:200	195	2500
M140	7	A:140, B:190, C:210	195	2800
Untypical oven		Special size - Project		



Recommended baking time:
90 - 120 seconds

Perfect for pizza napoletana,
classica, artisan pizza, chicago



Recommended oven floor
temperature range: 390°C - 480°C



Daily preheat time:
25-60 minutes

DESCRIPTION

Technology that allows a high degree of heat retention with consequent energy savings. Our "heat tank" saves up to 85% in fuel.

We only use high innovation products used in the high technology sector.

GASPARE professional ovens are completely made by hand, according to the ancient tradition of pizza oven construction.

This series has the best heat accumulation coefficient among the pizza ovens available on the market.

Firewood consumption: approx. 3 kg/h

Enzo Forni

Nowy Swiat 26 St, 41-706 Ruda Slaska, Poland

Email: office@enzoforni.eu

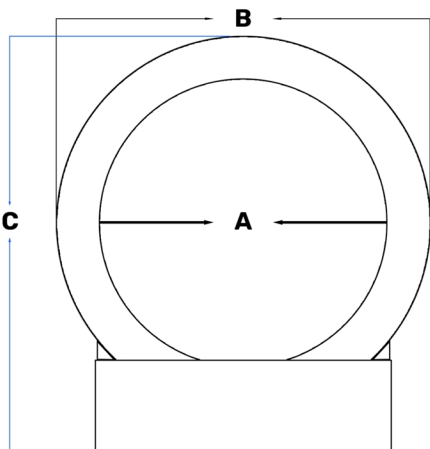
(0048) 539 367 341

www.enzoforni.eu



FENICE SERIES

SERIES: NAPOLI SERIES
WOOD



MODEL	NO. PIZZAS	SIZES	HEIGHT	WEIGHT
M80	2	A:80, B:125, C:155	204	900
M90	3	A:90, B:150, C:165	205	1200
M110	4	A:110, B:170, C:185	205	1900
M120	5	A:120, B:185, C:195	209	2100
M130	6	A:130, B:192, C:205	213	2200
M140	7	A:140, B:200, C:215	215	2400
Untypical oven		Special size - Project		



Recommended baking time:
90 - 120 seconds

Perfect for pizza napoletana,
classica, artisan pizza, chicago



**Recommended oven floor
temperature range: 390°C - 480°C**



Daily preheat time:
25-60 minutes

DESCRIPTION

Technology that allows a high degree of heat retention with consequent energy savings. Our "heat tank" saves up to 70% in fuel.

We only use natural and environmentally sustainable products, in accordance with the principles of the circular economy, thanks to the reintroduction of recovered materials from the same production waste into the various processing stages.

FENICE professional ovens are completely made by hand, according to the ancient tradition of pizza oven construction.

Enzo Forni

Nowy Swiat 26 St, 41-706 Ruda Slaska, Poland

Email: office@enzoforni.eu

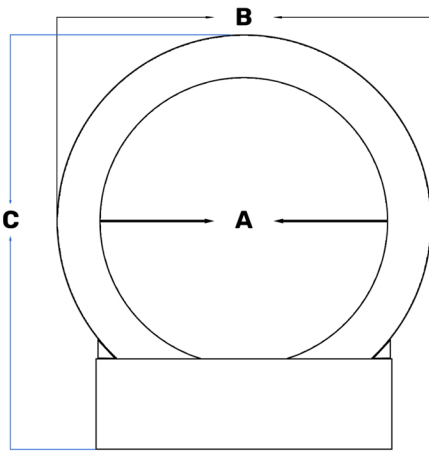
(0048) 539 367 341

www.enzoforni.eu



STANDARD SERIES

SERIES: NAPOLI SERIES
WOOD



MODEL	NO. PIZZAS	SIZES	HEIGHT	WEIGHT
M80	2	A:80, B:110, C:135	204	1500
M90	3	A:90, B:120, C:145	205	1700
M110	4	A:110, B:140, C:165	205	1900
M120	5	A:120, B:150, C:175	209	2200
M130	6	A:130, B:160, C:185	213	2500
M140	7	A:140, B:170, C:195	215	2800
Unotypical oven		Special size - Project		



Recommended baking time:
90 - 120 seconds

Perfect for pizza napoletana,
classica, artisan pizza, chicago



**Recommended oven floor
temperature range: 390°C - 480°C**



Daily preheat time:
25-60 minutes

DESCRIPTION

Technology that allows a high degree of heat retention with consequent energy savings. Our "heat tank" saves up to 75% in fuel.

We mixing professional refractory technology materials with natural and environmentally sustainable products, in accordance with the principles of the circular economy, thanks to the reintroduction of recovered materials from the same production waste into the various processing stages.

STANDARD series are completely made by hand, according to the ancient tradition of pizza oven construction.

Enzo Forni

Nowy Swiat 26 St, 41-706 Ruda Slaska, Poland

Email: office@enzoforni.eu

(0048) 539 367 341

www.enzoforni.eu